



WHEN POWER & PERFORMANCE MATTERS

CHOOSE ACTIVE

AL904KE

2.6T WHEEL LOADER

FEATURES

- Battery Isolation Switch
- 2 speed Shuttle Shift transmission Forward & reverse
- Very Spacious Cabin
- Tubeless heavy-duty wide tyres
- Radio with BT AM/FM USB Aux input
- A/C Heated Cabin with Fan
- Pilot controlled load frame operation
- Break lights indicators headlights rear lights
- Front window wiper
- Tow ball hitch
- Easy Access removable servicing panels
- Two sets of front remotes 3rd valves couplings
- Quick Hitch, Pallet Forks, GP Bucket & 4 IN 1 Bucket

PERFORMANCE

Rated loading (kg)	1300
Overall weight (kg)	2600
Rated bucket capacity (CBM)	0.38
Maximum tractive force (kN)	17
Maximum breakout force (kN)	19
Maximum grade ability(°)	20
Maximum dump height (mm)	2030
Maximum dump reach (mm)	608
Overall dimension (L×W×H) (MM)	4210*1470*2418
Minimum turning radius (Outside of wheels) (mm)	3336
Oscillation angle	8°

ENGINE

Model	KUBOTA V1505
Type	Inline water cooled, four stroke
No. of cylinder-bore/stroke (MM)	4—78×78.4
Displacement (L)	1.813
Rated power (kW)	25HP
Rated speed (r/min)	2300

TYRE

Type specification	31*15.5-15
--------------------	------------

TRANSMISSION SYSTEM

Driving pump type	Closed piston pump
Driving motor type	Piston
Gear shift	2 Speed Electric
Speeds	7/18km/h

DRIVE AXLES

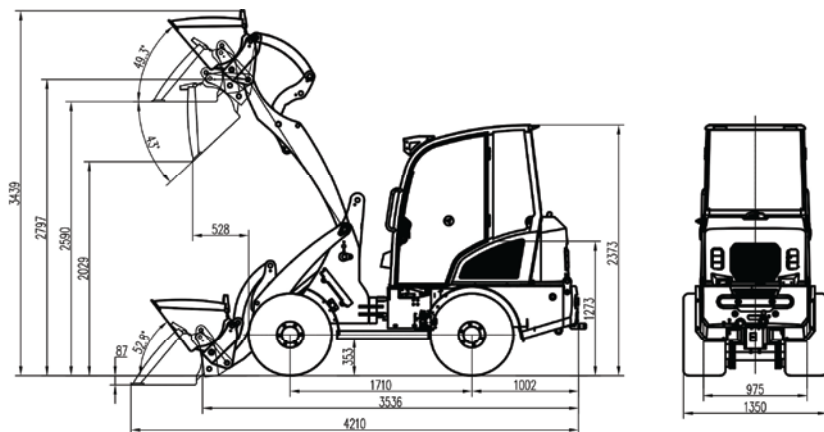
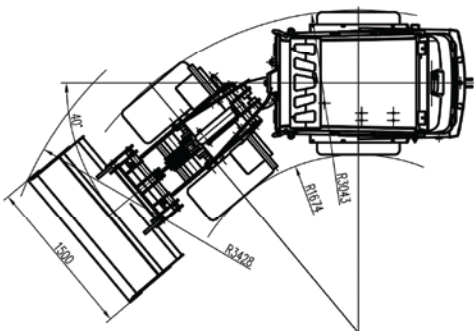
Main reducing mode	Bevel gear grade I reduction
Wheel base (mm)	1550
Wheel tread (mm)	930
Ground clearance (mm)	240

HYDRAULIC SYSTEM

Working gear pump	18mL/r
Max flow	35L/min
System working pressure (Mpa)	18
Boom lifting time (s)	3.2
Total time (s)	6.3
Fuel tank capacity (L)	40

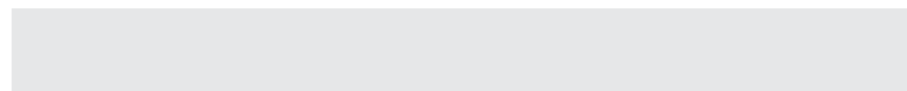
BRAKE SYSTEM

Service brake	Drum brake
Parking brake	Manual drum brake



ACTIVE MACHINERY
 28-30 Hydrive Close
 Dandenong South Victoria 3175
 Phone 03 9799 7707
 Mobile 0409 307 500
 Email sales@activemachinery.com.au

PURCHASE PRICE



Attachments Not Included. Due to continued advancements in technology, Active Machinery are constantly improving their quality range. Therefore the information and pictures shown should be used as a guide only.